

IDPVB-1265-NFA

INDOOR DIRECTIONAL ANTENNA, VERTICAL POLAR
 2400MHz ~ 2500MHz
 12.0dBi, 65°HBW, 30°VBW

PRODUCT IMAGE



ELECTRICAL SPECIFICATIONS

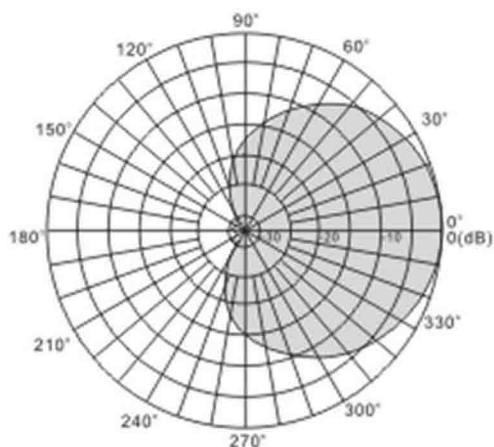
Frequency	2400MHz ~ 2500MHz
Gain	12.0dBi
Horizontal Beamwidth	65°
Vertical Beamwidth	30°
Polarization	Vertical
VSWR	≤1.4
Impedance	50Ω
Maximum Input Power	100Watts
Connector	1 x N Female
Lightning Protection	DC Ground

MECHANICAL SPECIFICATIONS

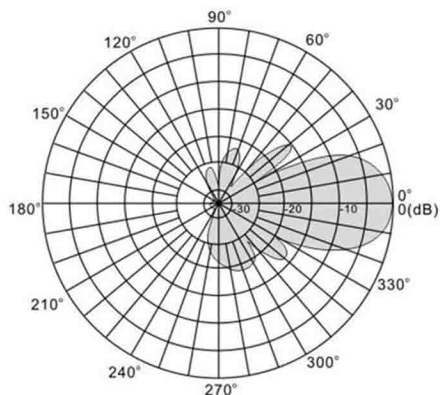
Dimensions (H x W x D)	210mm x 180mm x 44mm
Weight	0.9Kg
Radiating element material	CuAg
Radome Material	ABS
Reflector Material	Aluminum Alloy
Connector Location	300mm Cable

RADIATION PATTERNS

Horizontal



Vertical



ENVIRONMENTAL SPECIFICATIONS

Operating Temperature	-40°C to +60°C
-----------------------	----------------

ENERSUS RESERVES THE RIGHT TO CHANGE SPECIFICATIONS WITHOUT PRIOR NOTICE

EDITION: 07-01

ORDERING INFORMATION

IDPVB-1265-NFA	Antenna, N Female Connector
----------------	-----------------------------